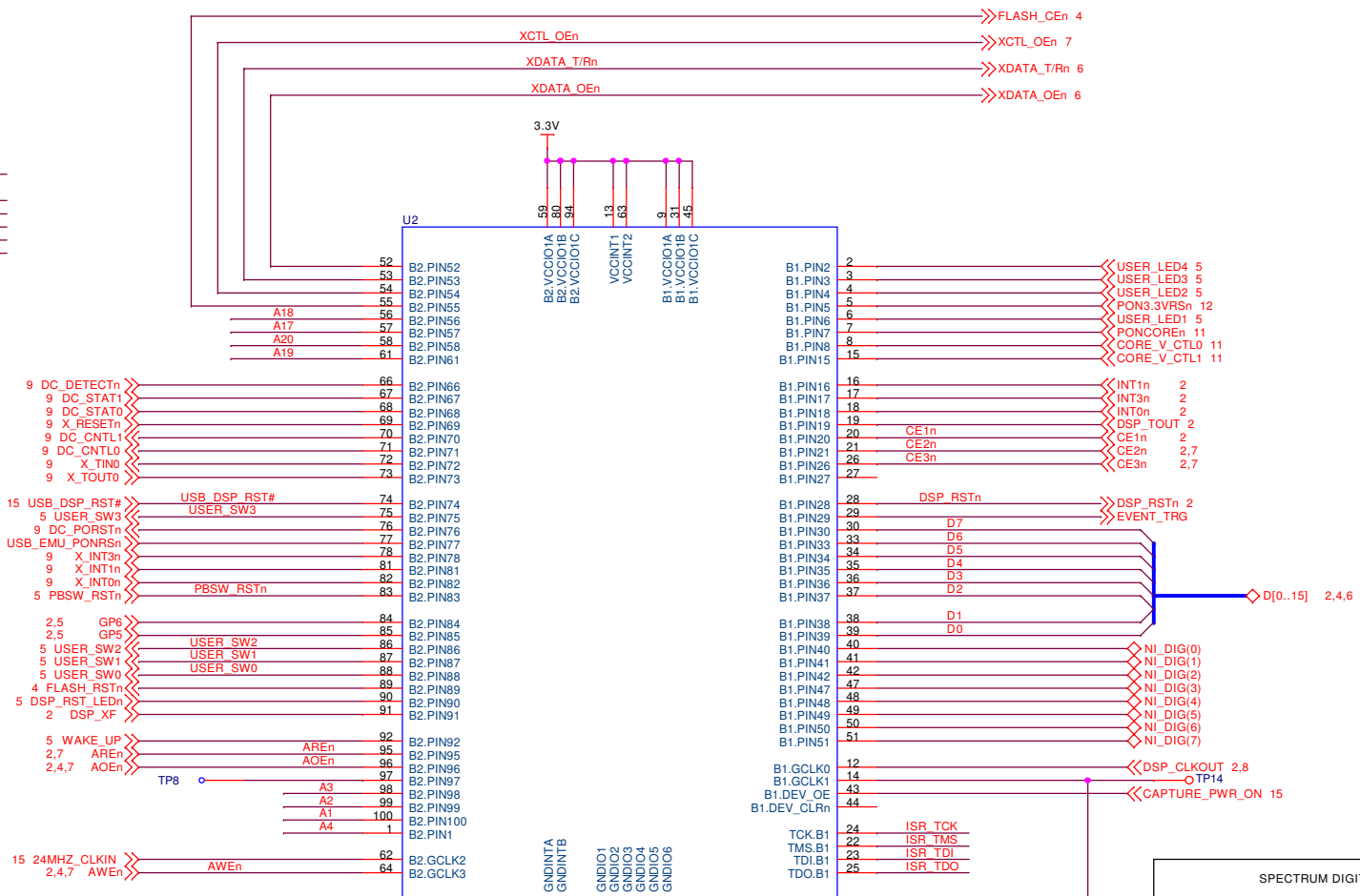
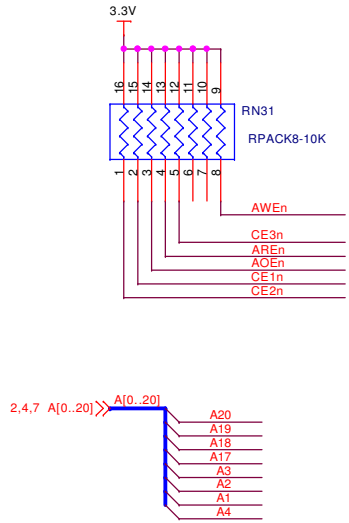
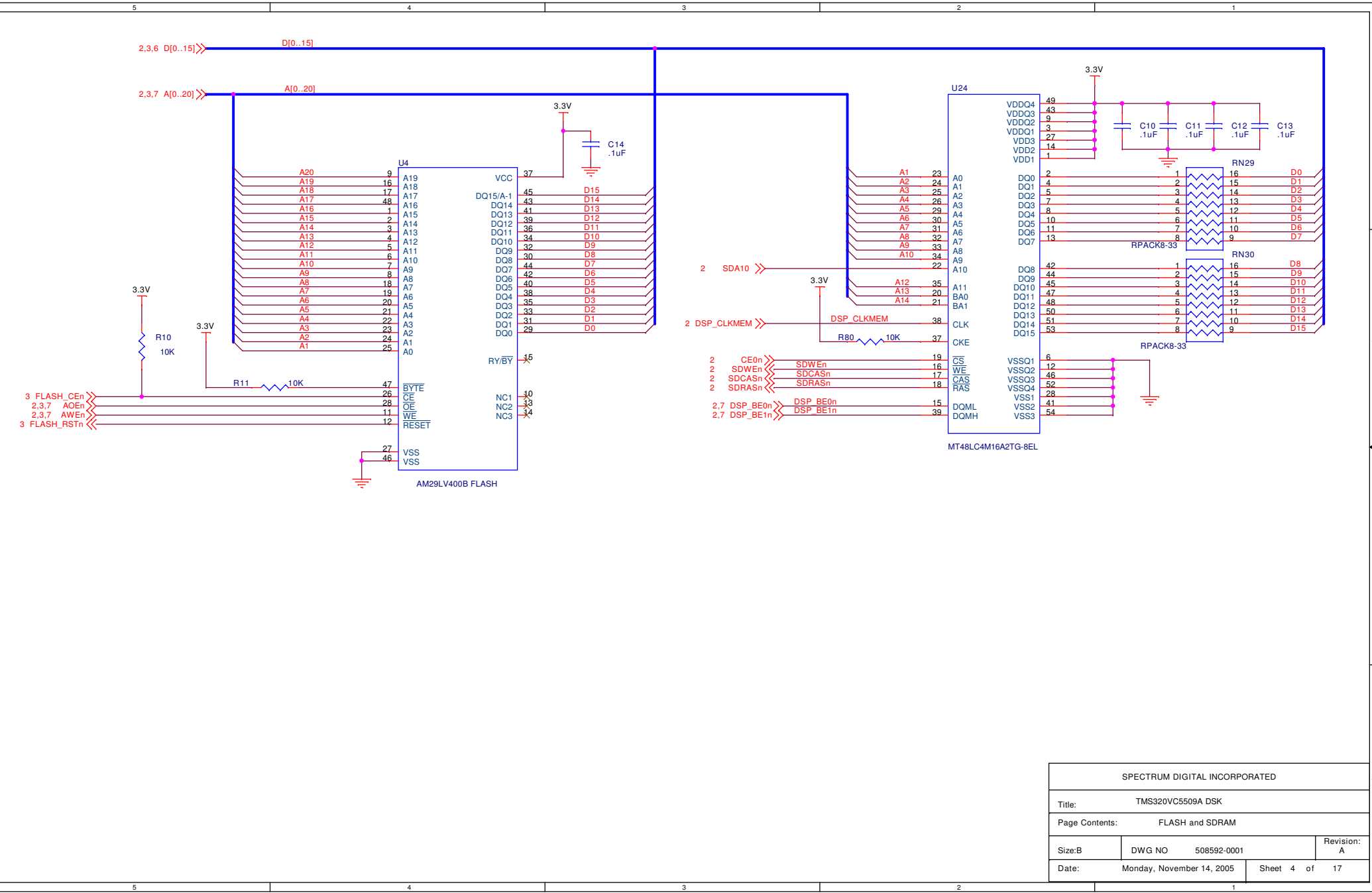


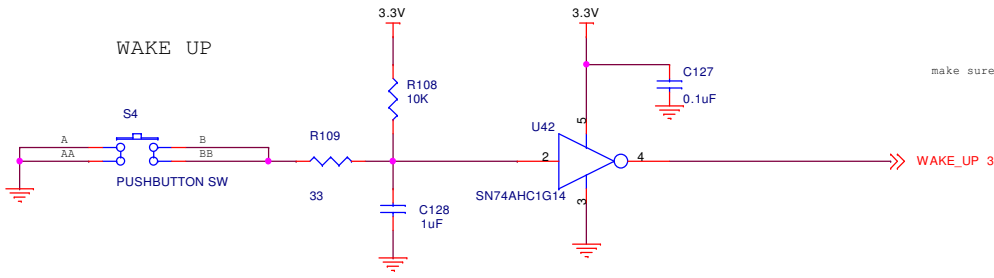
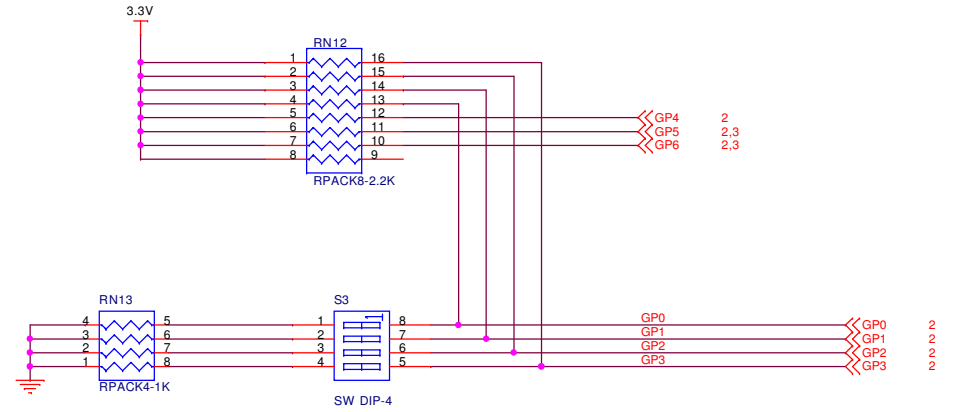
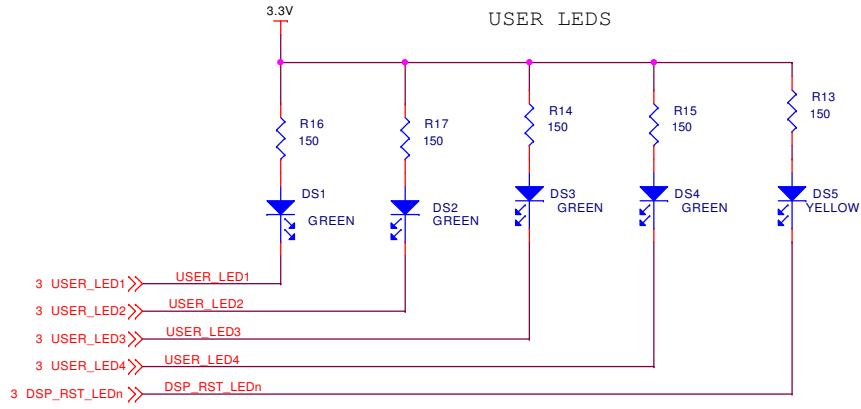
PULLUP/DOWN TO KEEP LOGIC IN RESET WHEN THE CPLD IS NOT PROGRAMMED.



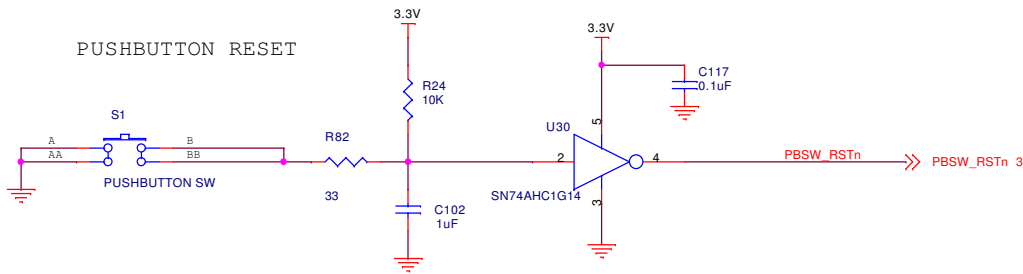
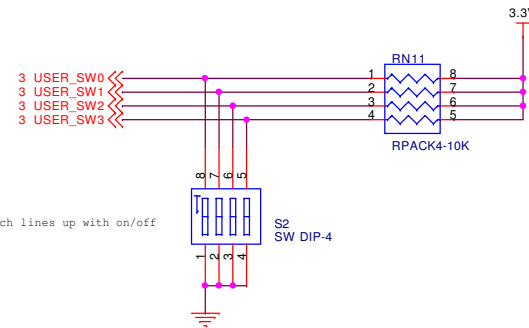
SPECTRUM DIGITAL INCORPORATED			
Title: TMS320VC5509A DSK			
Page Contents: Control CPLD			
Size: B	DWG NO	508592-0001	Revision: A
Date:	Monday, November 14, 2005	Sheet 3 of	17



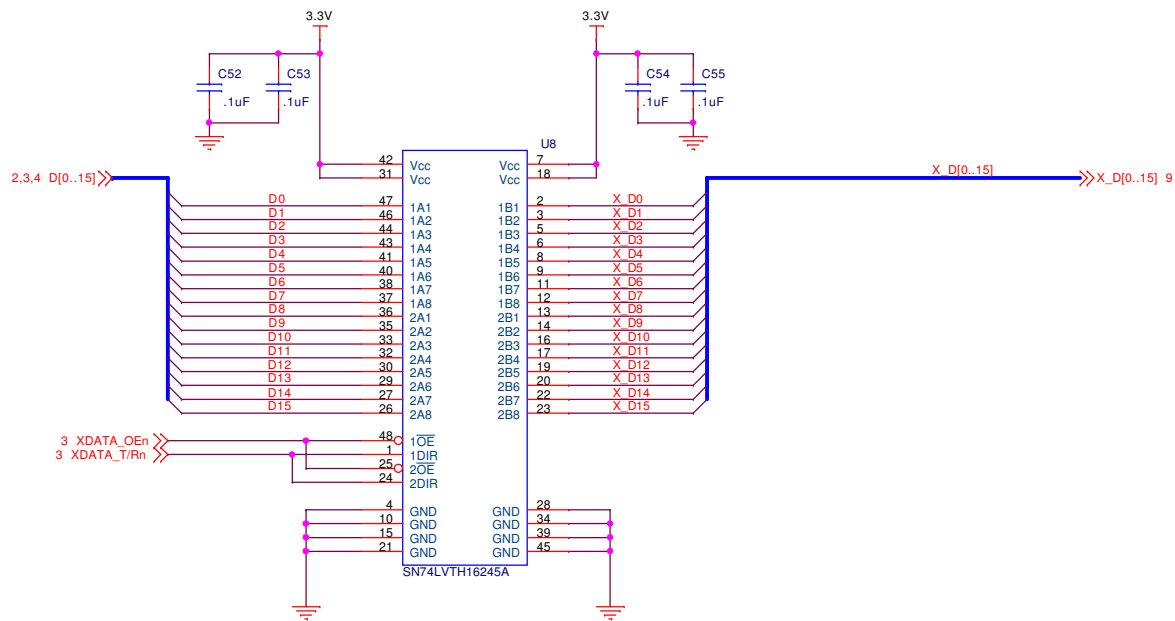
SPECTRUM DIGITAL INCORPORATED			
Title: TMS320VC5509A DSK			
Page Contents: FLASH and SDRAM			
Size: B	DWG NO	508592-0001	Revision: A
Date:	Monday, November 14, 2005	Sheet 4 of 17	



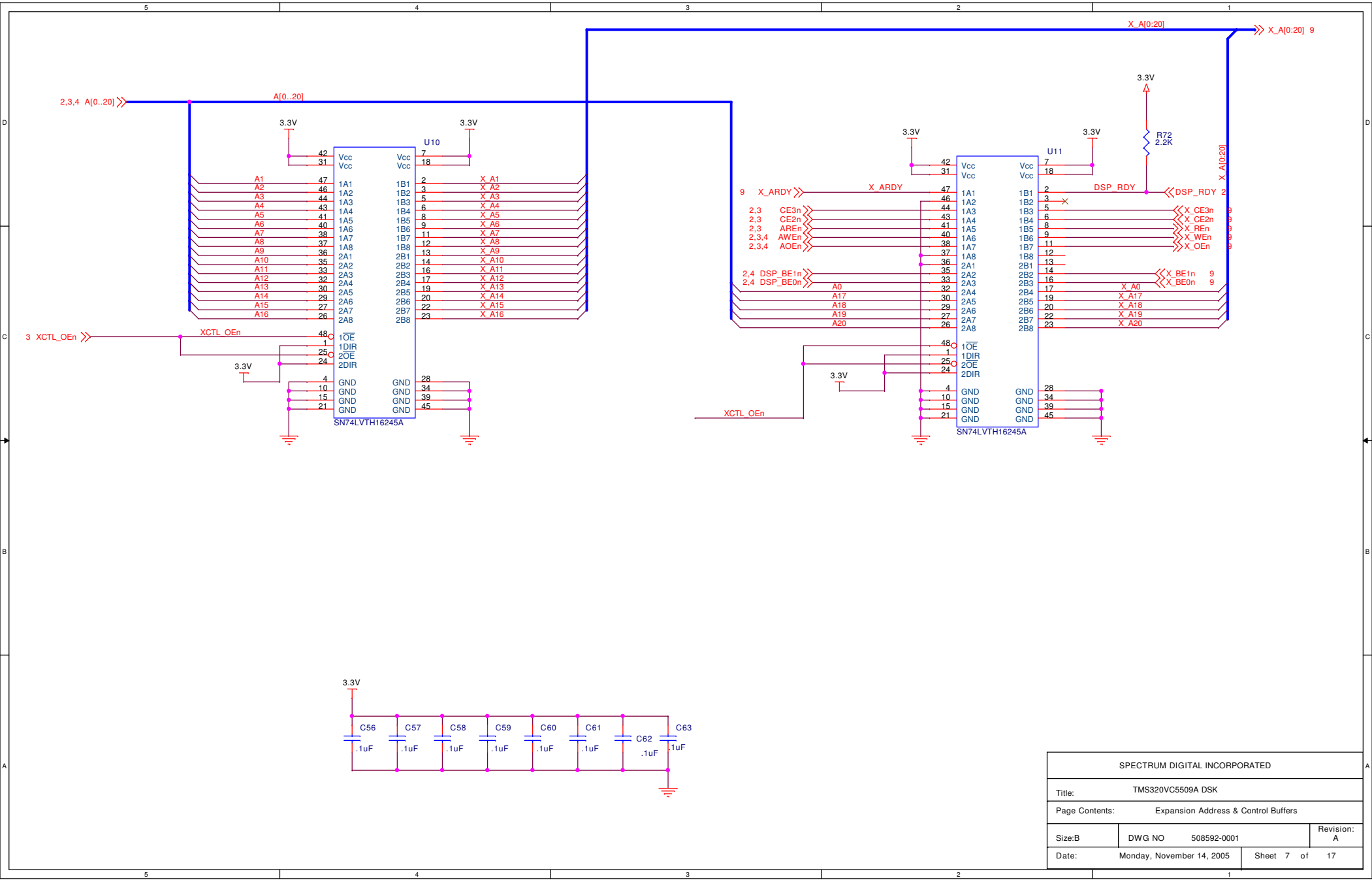
make sure switch lines up with on/off



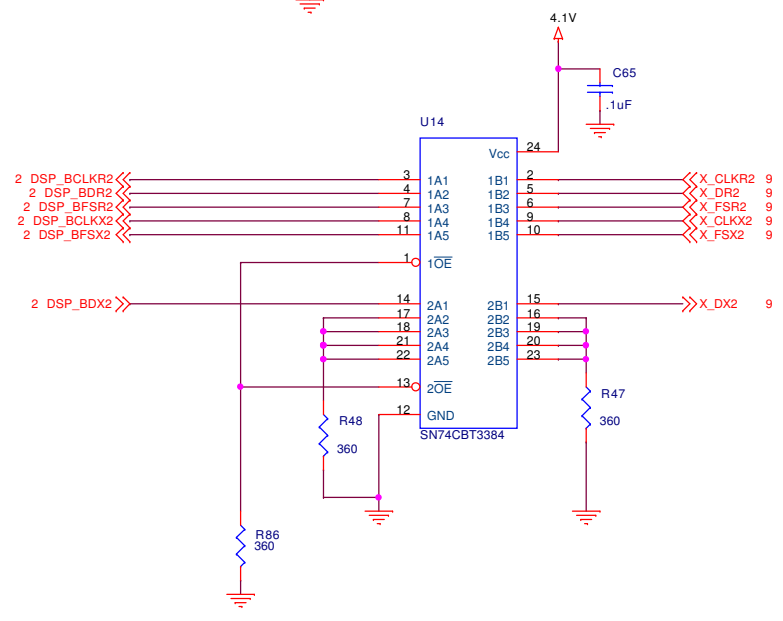
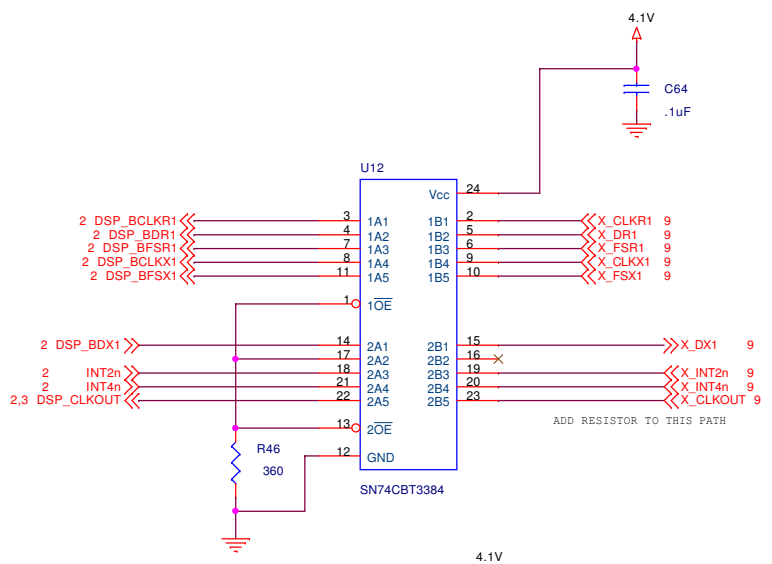
SPECTRUM DIGITAL INCORPORATED			
Title: TMS320VC5509A DSK			
Page Contents: LEDS/Switches			
Size: B	DWG NO	508592-0001	Revision: A
Date:	Monday, November 14, 2005	Sheet 5 of	17



SPECTRUM DIGITAL INCORPORATED			
Title: TMS320VC5509A DSK			
Page Contents: Expansion Data Buffers			
Size: B	DWG NO	508592-0001	Revision: A
Date:	Monday, November 14, 2005	Sheet 6 of	17

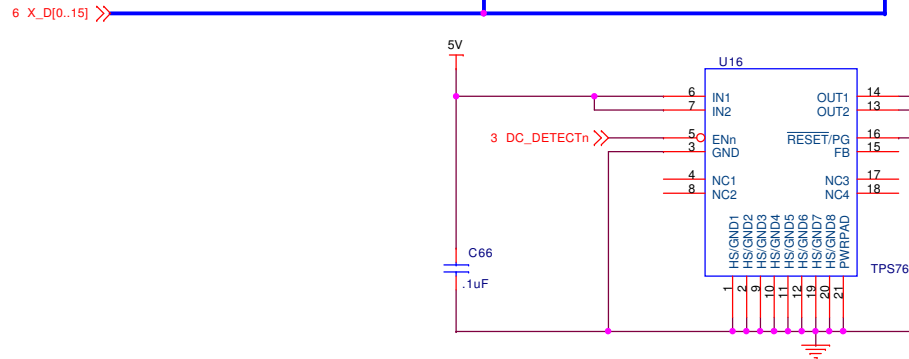
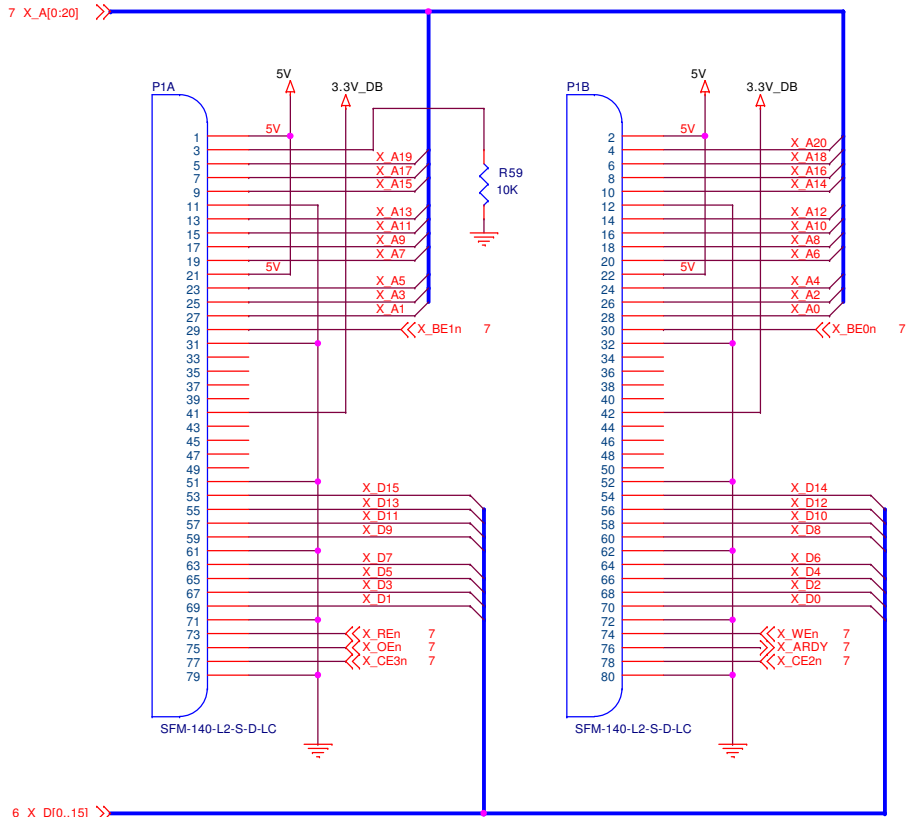


SPECTRUM DIGITAL INCORPORATED			
Title: TMS320VC5509A DSK			
Page Contents: Expansion Address & Control Buffers			
Size: B	DWG NO	508592-0001	Revision: A
Date:	Monday, November 14, 2005	Sheet 7 of	17

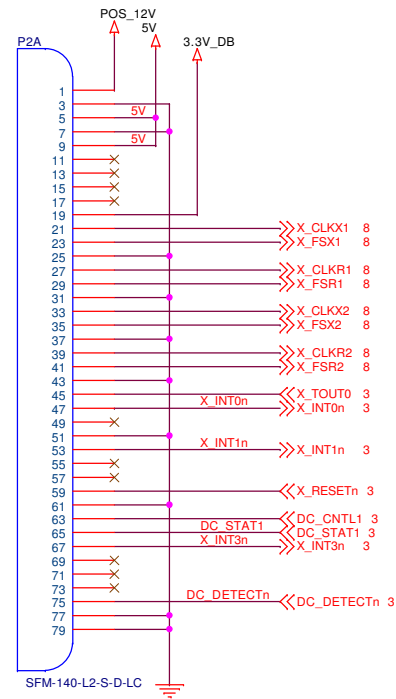


SPECTRUM DIGITAL INCORPORATED			
Title: TMS320VC5509A DSK			
Page Contents: Serial Port Buffers			
Size: B	DWG NO	508592-0001	Revision: A
Date:	Monday, November 14, 2005	Sheet 8 of	17

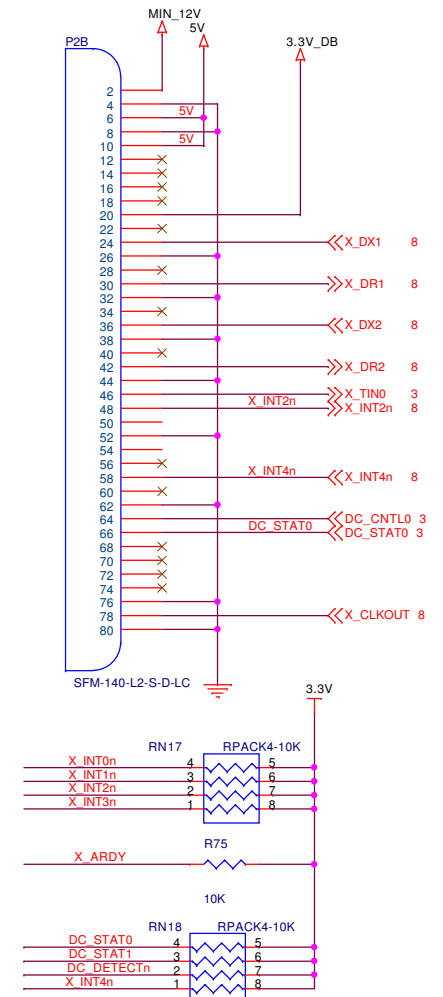
MEMORY INTERFACE



EXPANSION BUS CE2



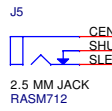
PERIPHERAL INTERFACE



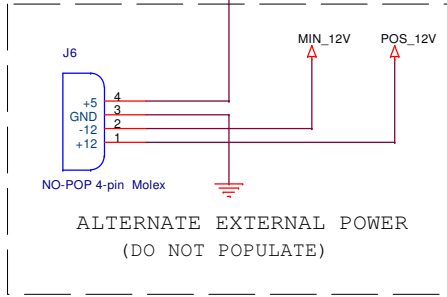
SPECTRUM DIGITAL INCORPORATED			
Title: TMS320VC5509A DSK			
Page Contents: Daughter Card Memory and Peripheral Interfaces			
Size: B	DWG NO	508592-0001	Revision: A
Date:	Monday, November 14, 2005	Sheet 9 of 17	

EXTERNAL POWER PLUG

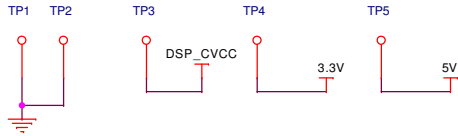
POWER INPUT



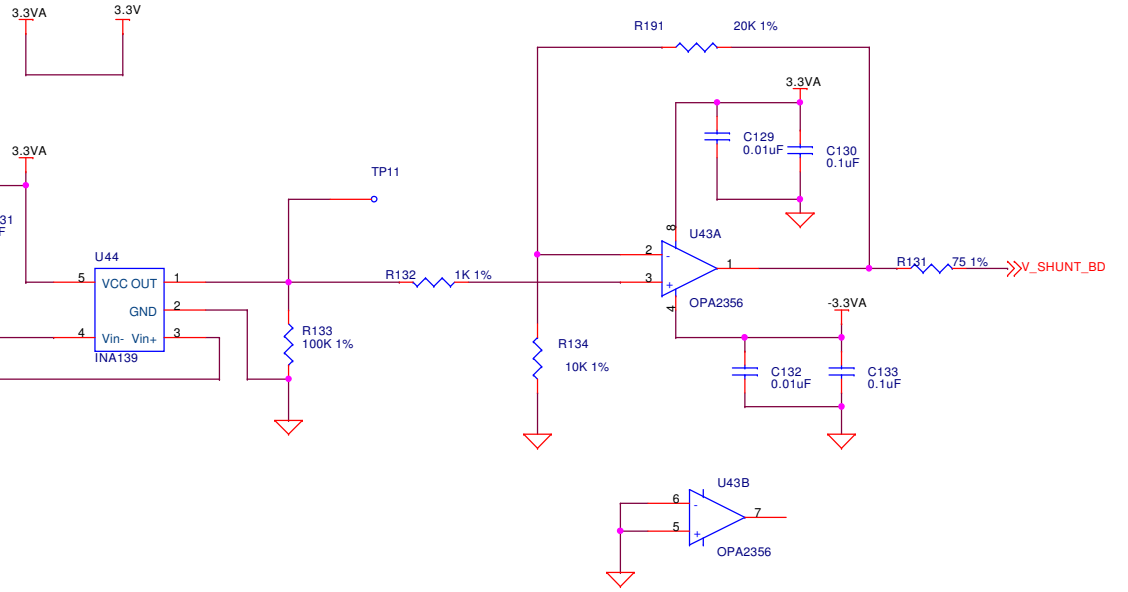
SWITCHCRAFT RAPC712 PLUG



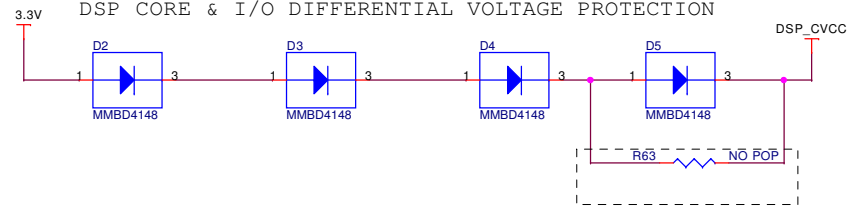
INPUT POWER



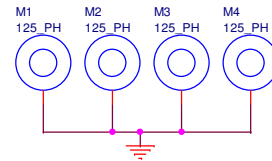
GROUND TEST POINTS



DSP CORE & I/O DIFFERENTIAL VOLTAGE PROTECTION

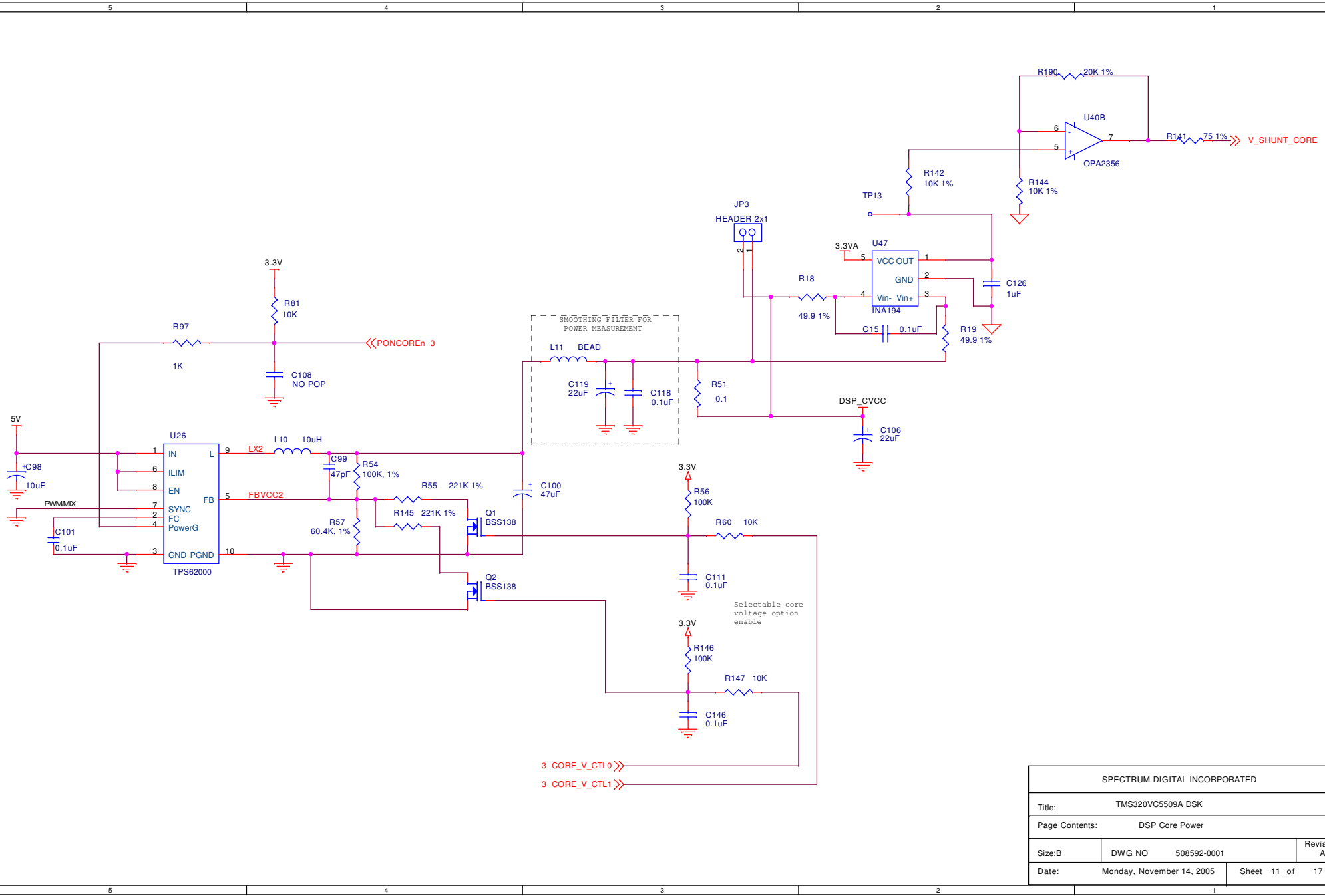


DAUGHTERCARD STANDOFF GROUNDING

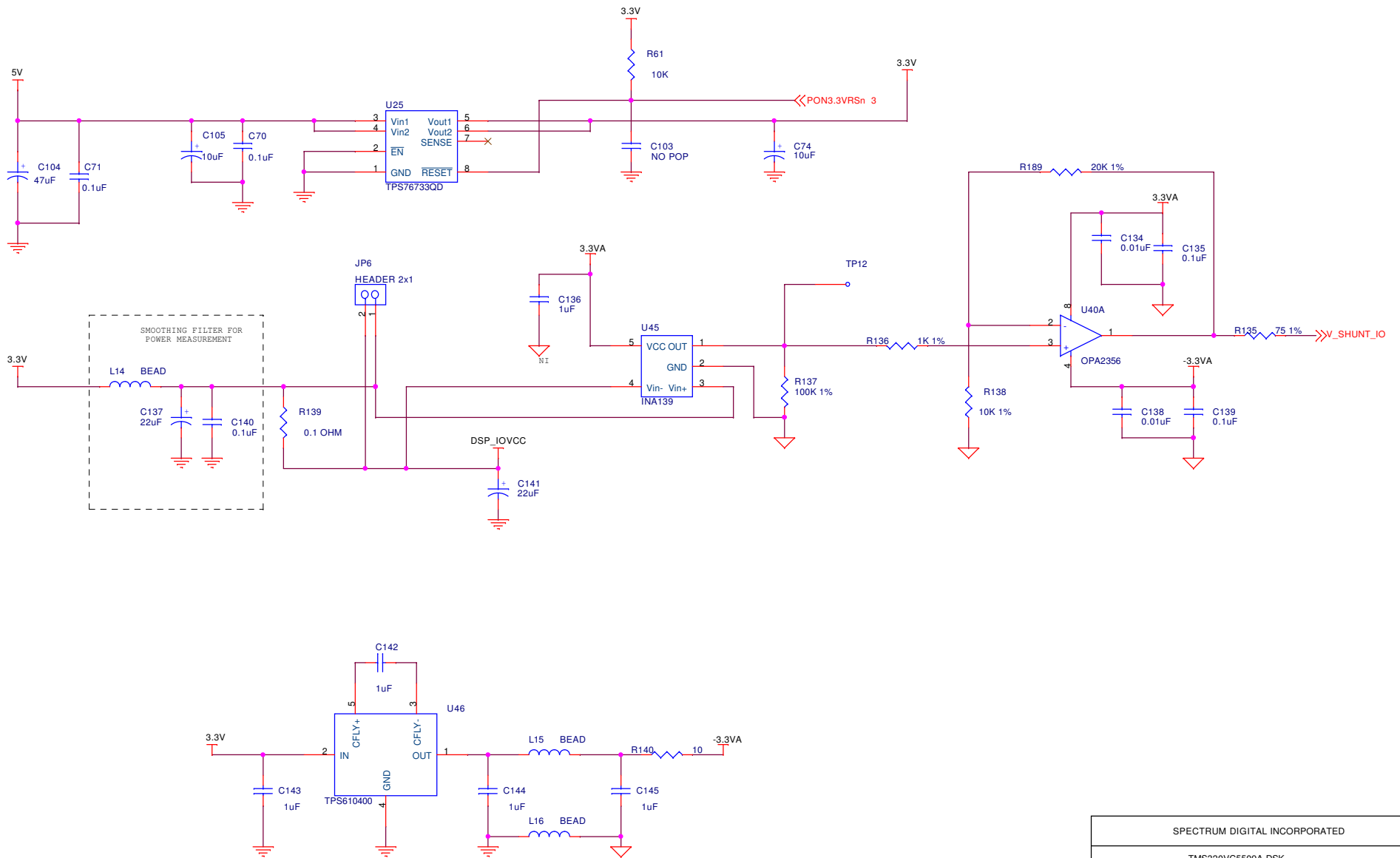


KEEP TRACES A MINIMUM OF 0.070 INCHES FROM THESE HOLES.

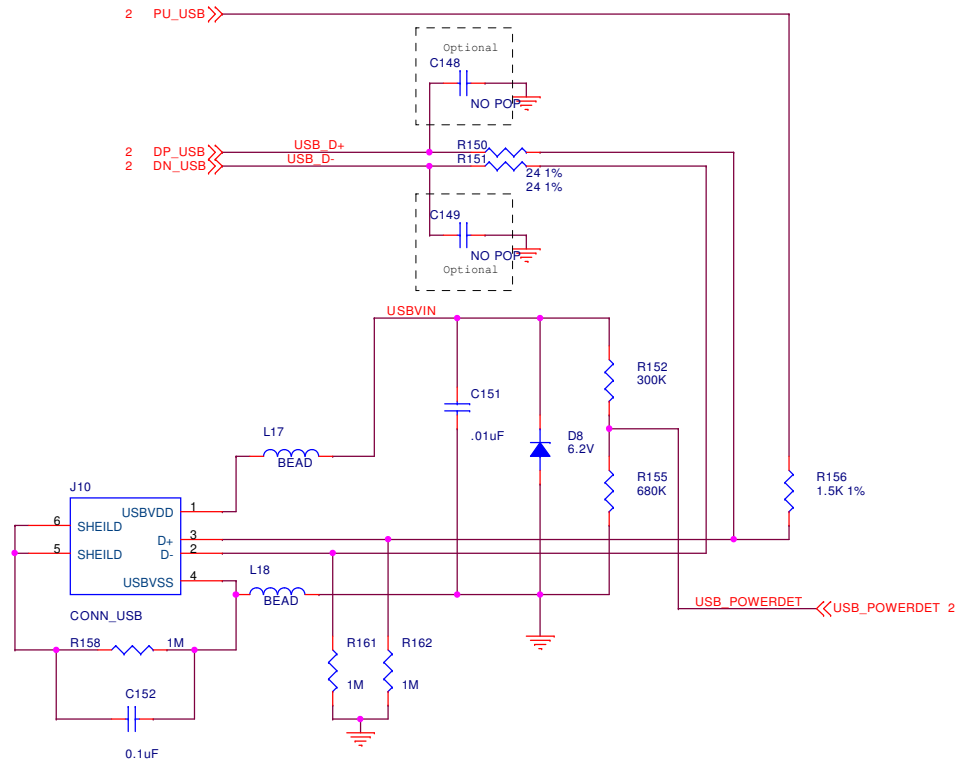
SPECTRUM DIGITAL INCORPORATED			
Title: TMS320VC5509A DSK			
Page Contents: Power			
Size: B	DWG NO	508592-0001	Revision: A
Date:	Monday, November 14, 2005	Sheet 10 of	17



SPECTRUM DIGITAL INCORPORATED			
Title: TMS320VC5509A DSK			
Page Contents: DSP Core Power			
Size: B	DWG NO	508592-0001	Revision: A
Date:	Monday, November 14, 2005	Sheet 11 of	17

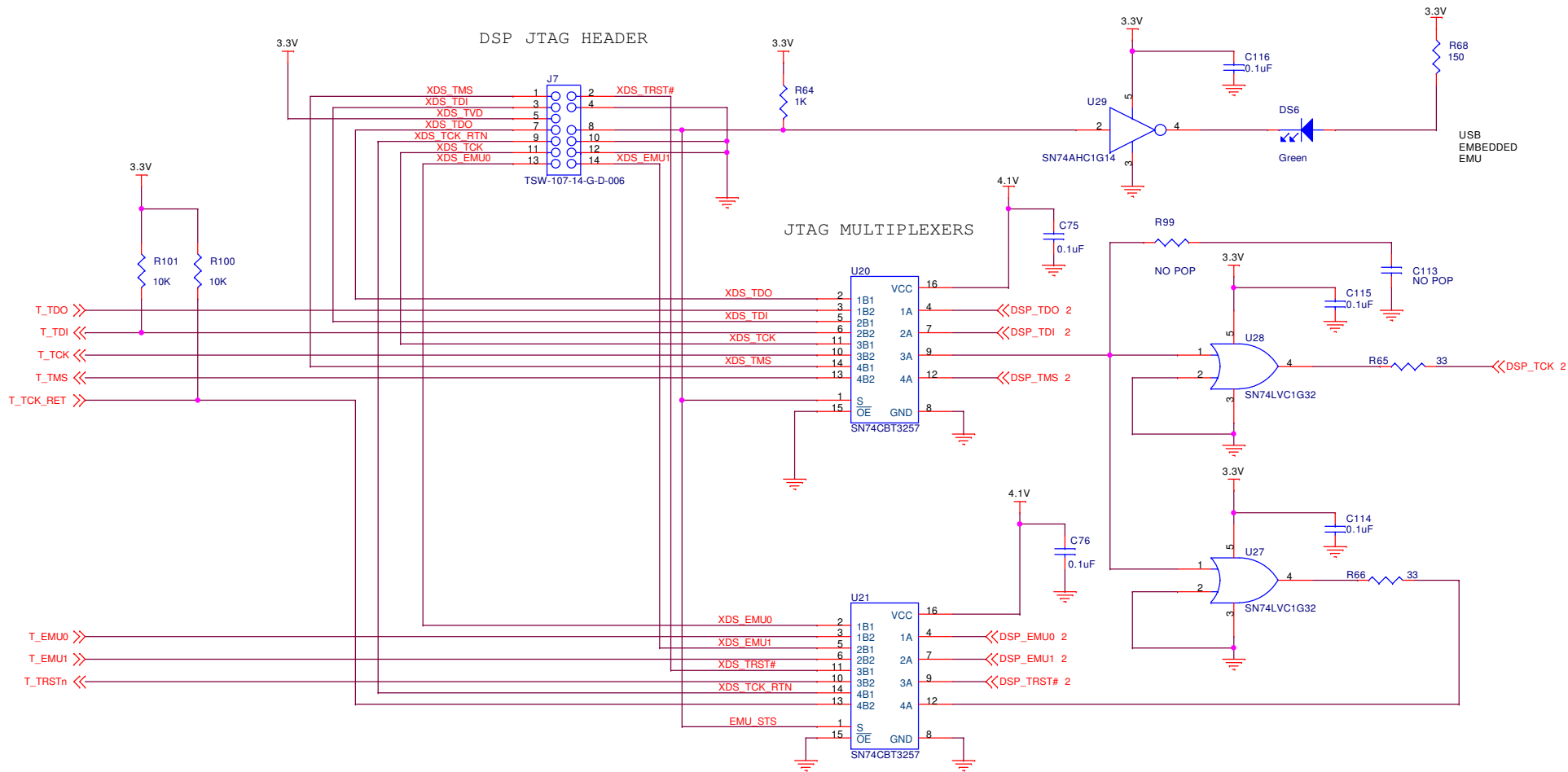


SPECTRUM DIGITAL INCORPORATED			
Title: TMS320VC5509A DSK			
Page Contents: Current Shunts			
Size: B	DWG NO	508592-0001	Revision: A
Date:	Monday, November 14, 2005	Sheet 12 of	17

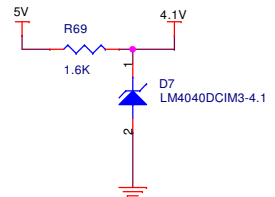


SPECTRUM DIGITAL INCORPORATED		
Title: TMS320VC5509A DSK		
Page Contents: USB Interface		
Size: B	DWG NO 508592-0001	Revision: A
Date: Monday, November 14, 2005	Sheet 13 of 17	

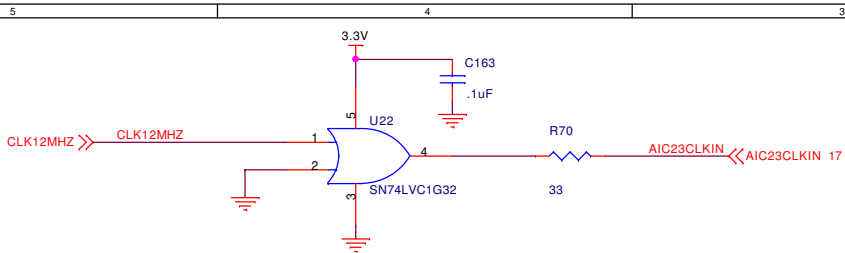
DSP JTAG HEADER



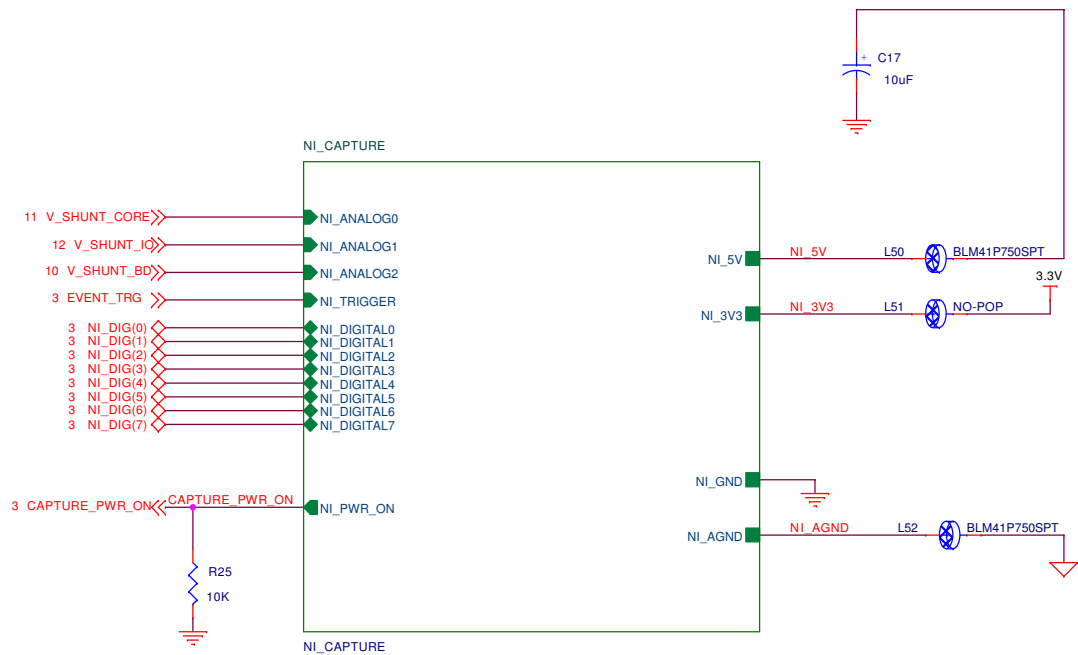
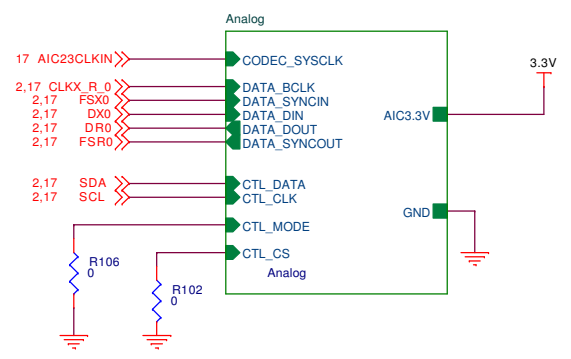
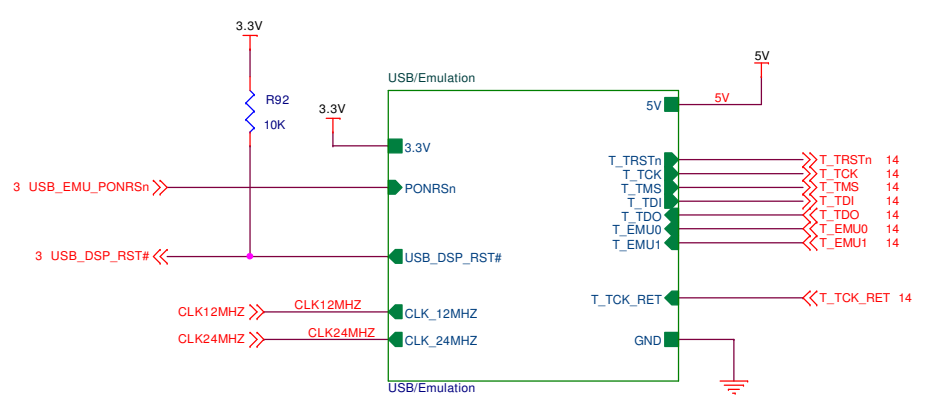
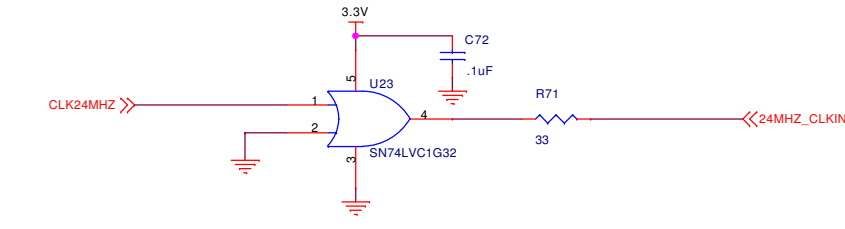
CBT VOLTAGE DIVIDER



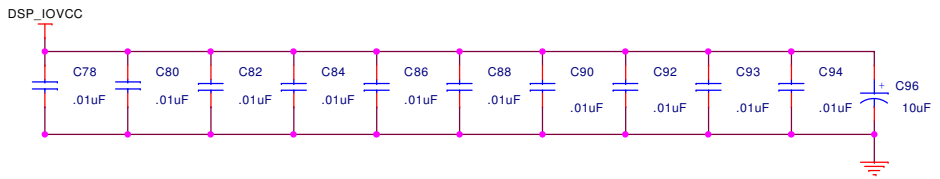
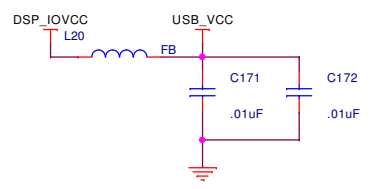
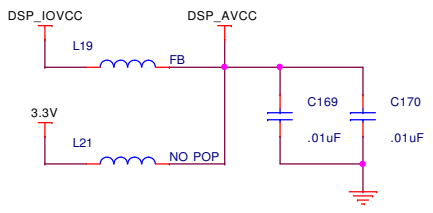
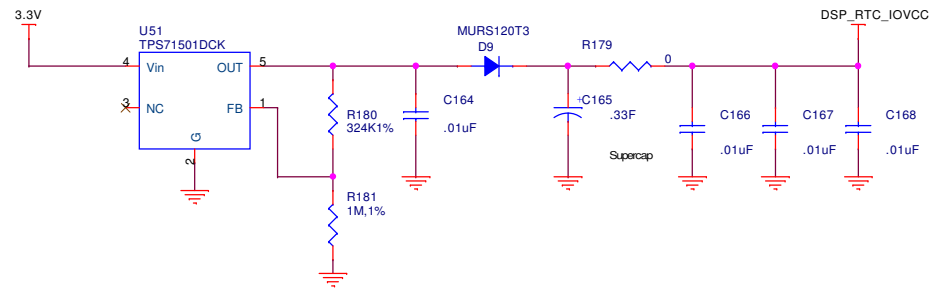
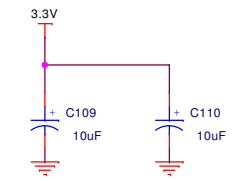
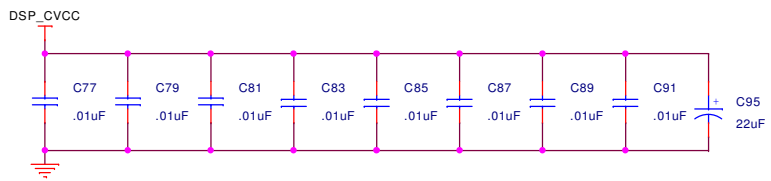
SPECTRUM DIGITAL INCORPORATED			
Title: TMS320VC5509A DSK			
Page Contents: JTAG Interface			
Size: B	DWG NO	508592-0001	Revision: A
Date:	Monday, November 14, 2005	Sheet 14 of	17



THESE GATES NEED TO BE PLACED CLOSE TO USB CLOCK SOURCE

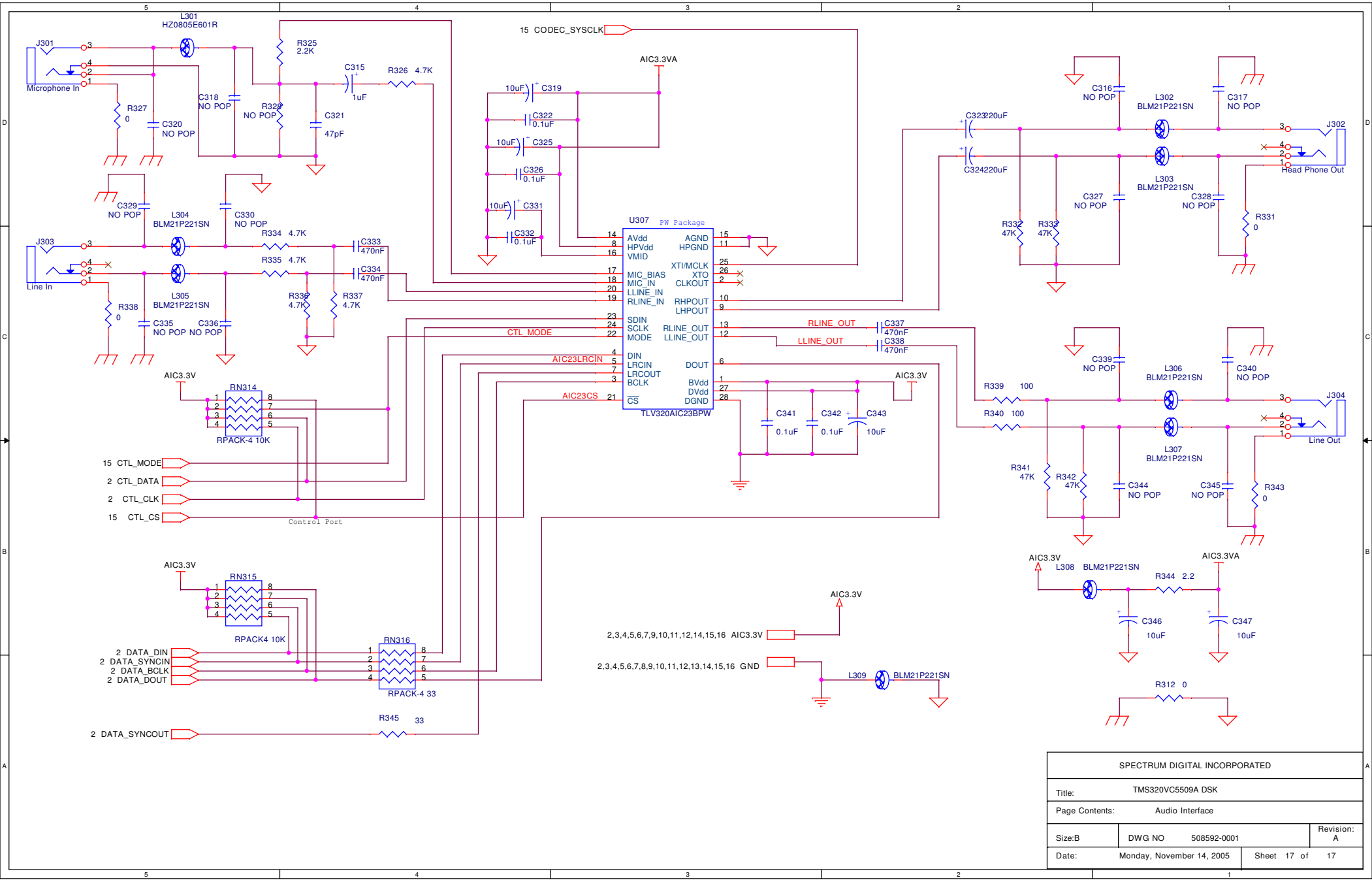


SPECTRUM DIGITAL INCORPORATED			
Title: TMS320VC5509A DSK			
Page Contents: Hierarchical Blocks			
Size: B	DWG NO	508592-0001	Revision: A
Date:	Monday, November 14, 2005	Sheet 15 of	17



DECOUPLING CAPS

SPECTRUM DIGITAL INCORPORATED			
Title: TMS320VC5509A DSK			
Page Contents: DECOUPLING CAPS			
Size: B	DWG NO	508592-0001	Revision: A
Date:	Monday, November 14, 2005	Sheet 16 of	17



SPECTRUM DIGITAL INCORPORATED			
Title: TMS320VC5509A DSK			
Page Contents: Audio Interface			
Size: B	DWG NO	508592-0001	Revision: A
Date:	Monday, November 14, 2005	Sheet 17 of	17